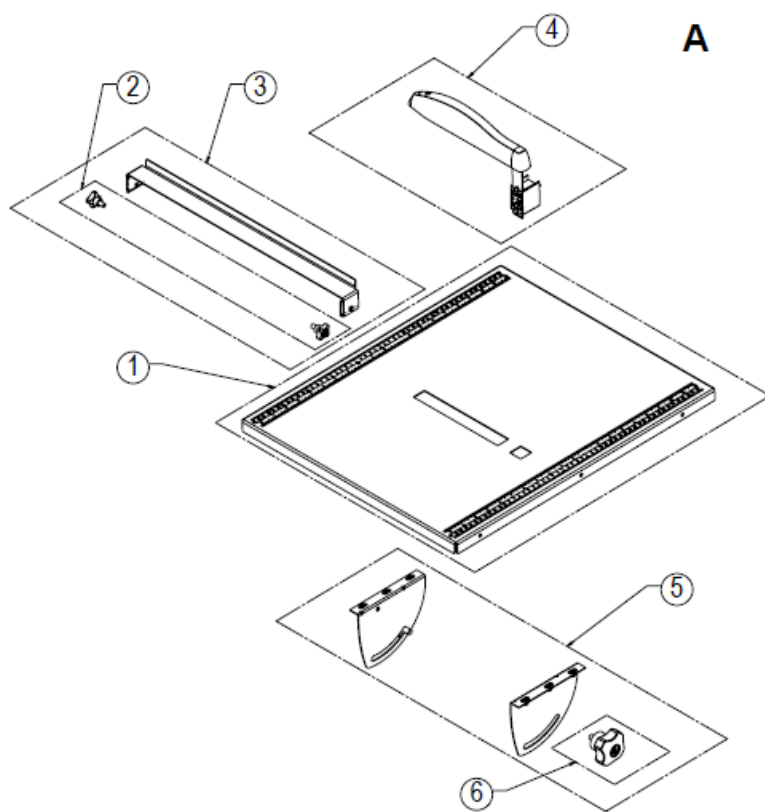


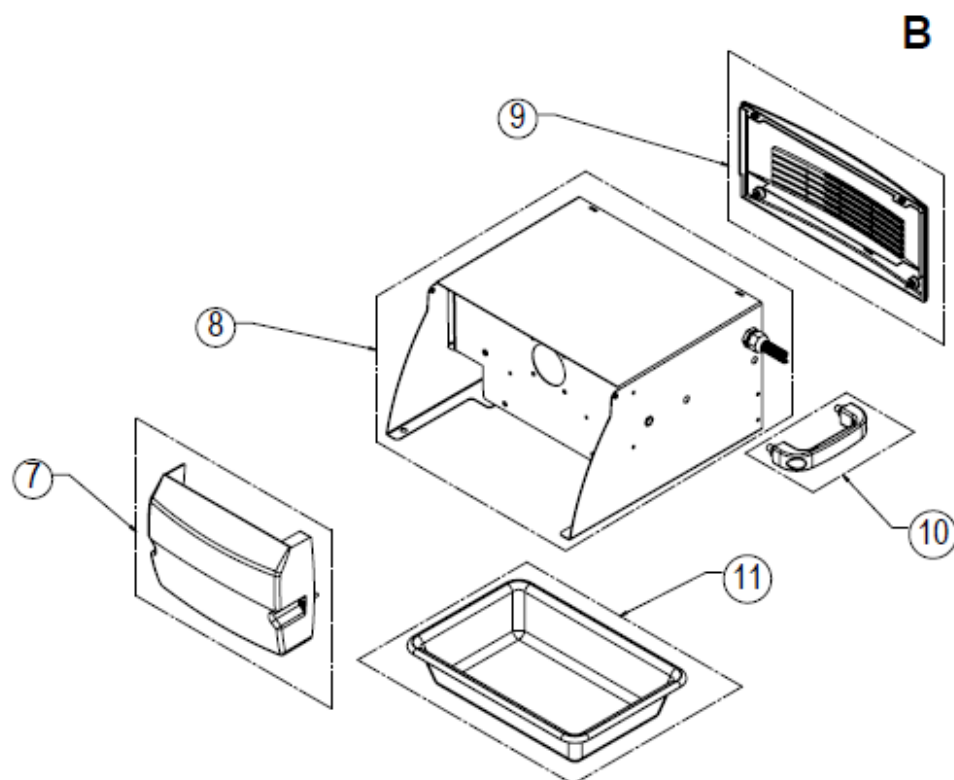
Part-list	ES	EN	Prod.
	GRUPO A	GROUP A	Pag. 2
8888	GRUPO B	GROUP B	Pag. 3
	GRUPO C	GROUP C	Pag. 4

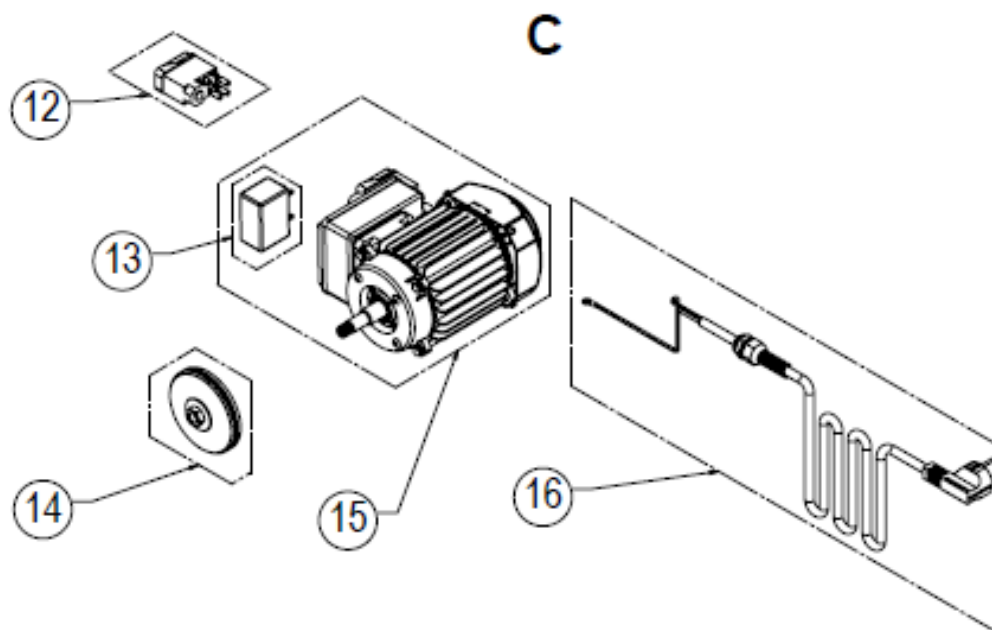
Prod	ES	EN	From serial number
45918	ND-200 120V 60HZ. USA -CORT.ELEC.	ND-200 120V 60Hz. USA	1216
45916	ND-200 110V 50HZ. UK -CORT.ELEC.	ND-200 110V 50Hz. UK	1439
45915	ND-200 230V 50HZ. UK -CORT.ELEC.	ND-200 230V 50Hz. UK	2264
45911	ND-200 220V 60HZ. -CORT.ELEC.	ND-200 220V 60Hz.	3640
45910	ND-200 230V 50HZ. -CORT.ELEC.	ND-200 230V 50Hz.	8501



Part-list	ES	EN	Prod.
1	45298 1 REC.MESA ND 200	SP.TABLE ND 200	
2	45625 1 REC.POMOS TOPE LATERAL ND 200	SP.KNOBS LATERAL STOP ND 200	
3	45297 1 REC.TOPE LATERAL ND 200	SP.LATERAL STOP ND 200	
4	45307 1 REC.PROTECTOR DISCO ND	SP.BLADE ROTECTOR ND	
5	45883 1 REC.ARTICULACIONES MESA ND 200	SP.JOINTS TABLE ND 200	
6	45620 2 REC.POMO REF:45620	SP.KNOB REF:45620	



Part-list	ES	EN	Prod.
7	45338 1 REC.PROTECTOR FRONTAL DISCO ND 200	SP.FRONT BLADE PROTECTOR ND 200	
8	45365 1 REC.CHASIS ND 200	SP.CHASSIS ND 200	
9	45370 1 REC.TAPA MOTOR ND 200	SP.MOTOR GUARD ND 200	
10	20282 1 REC.ASA REF:20282	SP.HANDLE SET REF:20282	
11	45892 1 REC.CUBETA ND 200	SP.CUVETTE ND 200	



Part-list	ES	EN	Prod.
12	45894 1 REC.ARRANCADOR 120V 50/60HZ REF:45894	SP.STARTER 120V 50/60HZ REF:45894	45916, 45918
12	45893 1 REC.ARRANCADOR 230V 50HZ REF:45893	SP.STARTER 230V 50HZ REF:45893	45910, 45911,45915
13	57708 1 REC.CONDENSADOR 12MF 450V 50/60HZ	SP.CAPACITOR 12MF 450V 50/60HZ	45910, 45911, 45915
13	57707 1 REC.CONDENSADOR 60MF 250V 50/60HZ	SP.CAPACITOR 60MF 250V 50/60HZ	45916, 45918
14	45389 1 REC.PLATOS ND 200	SP.FLANGES ND 200	
15	45895 1 REC.MOTOR ND 200 120V 60HZ	SP.MOTOR ND 200 120V 60HZ	45918
15	45469 1 REC.MOTOR ND 200 110V 50HZ	SP.MOTOR ND 200 110V 50HZ	45916
15	45468 1 REC.MOTOR ND 200 220V 60HZ	SP.MOTOR ND 200 220V 60HZ	45911
15	45459 1 REC.MOTOR ND 200 230V 50HZ	SP.MOTOR ND 200 320V 50HZ	45910, 45915
16	45514 1 REC.CABLE ND 200 120V 60HZ USA	SP.CABLE ND 200 120V 60HZ USA	45918
16	45513 1 REC.CABLE ND 200 230V 50HZ UK	SP.CABLE ND 200 230V 50HZ UK	45915, 45916
16	45467 1 REC.CABLE ND 200 230V 50HZ	SP.CABLE ND 200 230V 50HZ	45910, 45911