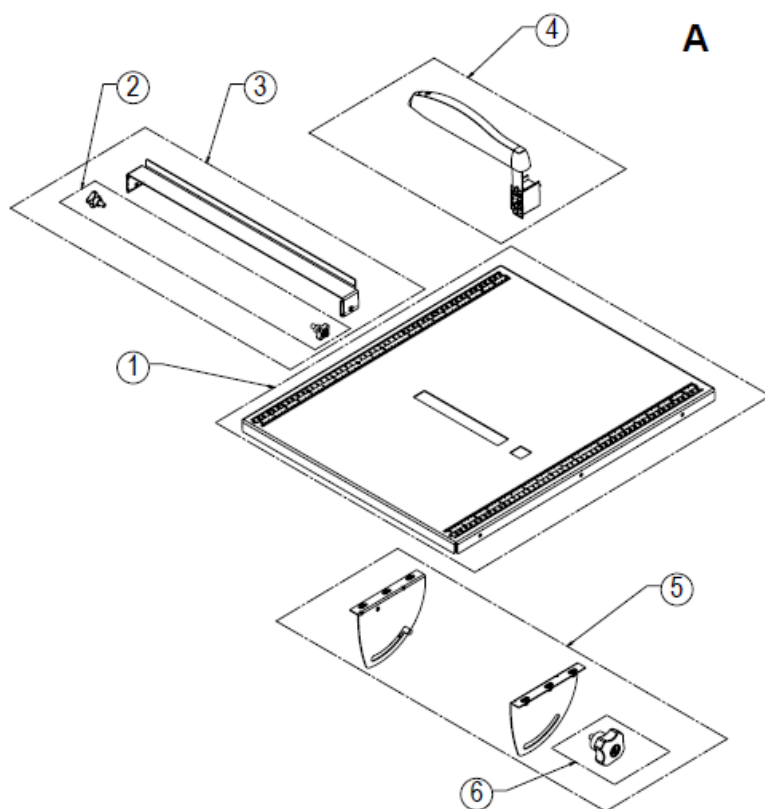
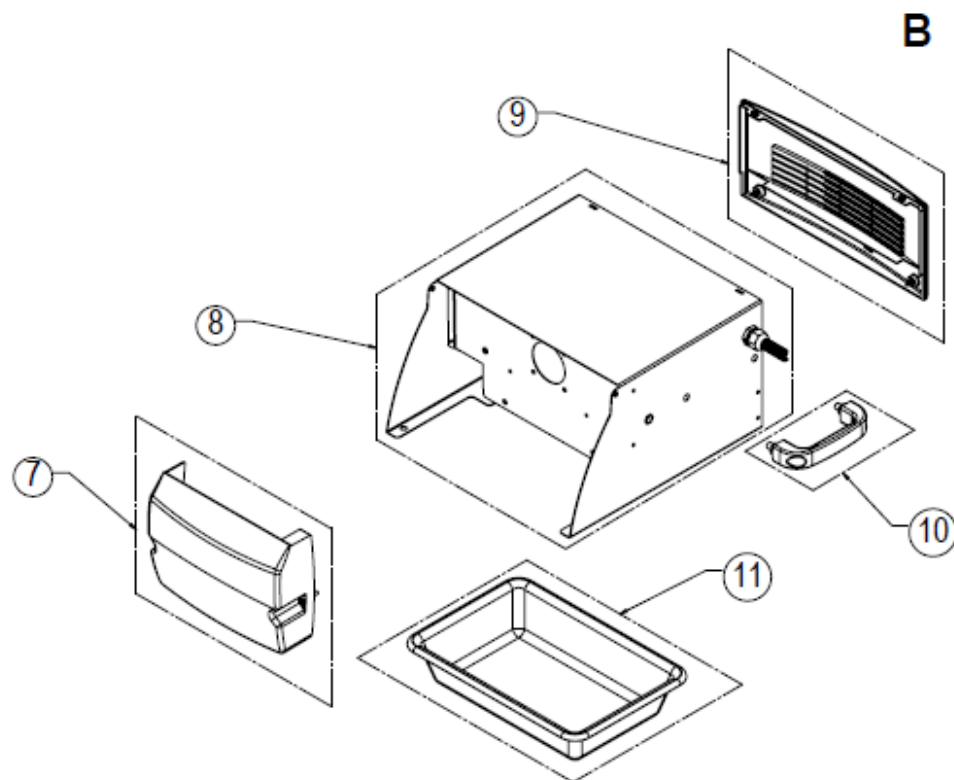


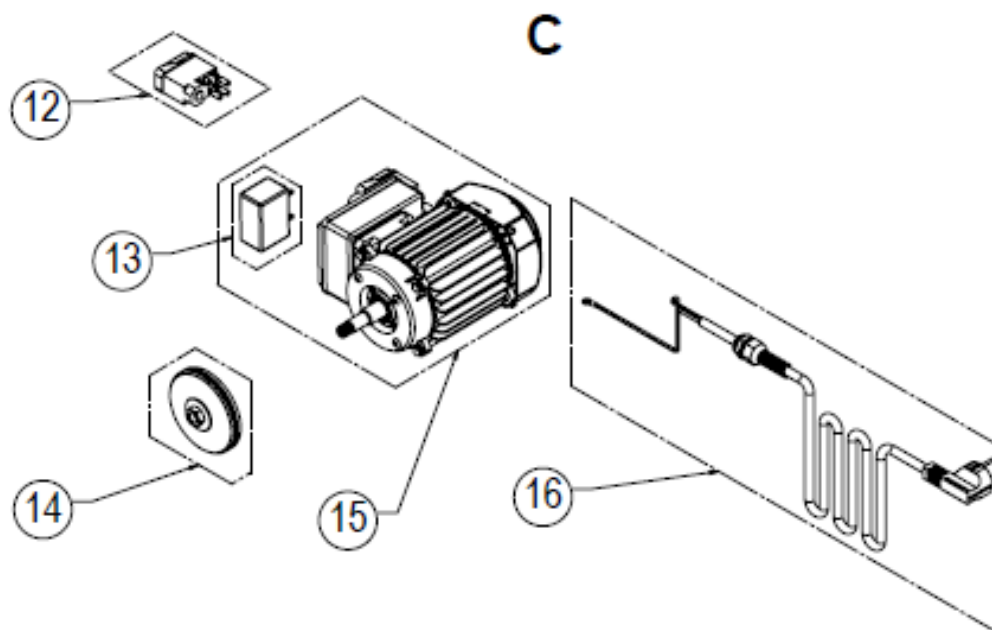
| Part-list | ES | EN | Prod. |
|-----------|-----------------------------|-----------------------------|--------------------|
| | GRUPO A | GROUP A | Pag. 2 |
| 8888 | GRUPO B | GROUP B | Pag. 3 |
| | GRUPO C | GROUP C | Pag. 4 |
| Prod | ES | EN | From serial number |
| 45946 | ND-200 230V 50HZ RUBI-BOELS | ND-200 230V 50HZ RUBI-BOELS | |



| Part-list | ES | EN | Prod. |
|-----------|---|------------------------------------|-------|
| 1 | 45298 1 REC.MESA ND 200 | SP.TABLE ND 200 | |
| 2 | 45699 1 REC.POMOS TOPE LATERAL ND 200 BOELS | SP.KNOBS LATERAL STOP ND 200 BOELS | |
| 3 | 45896 1 REC.TOPE LATERAL ND BOELS | SP.LATERAL STOP ND BOELS | |
| 4 | 45897 1 REC.PROTECTOR DISCO ND BOELS | SP.BLADE PROTECTOR ND BOELS | |
| 5 | 45898 1 REC.ARTICULACIONES MESA ND BOELS | SP.JOINTS TABLE ND BOELS | |
| 6 | 45698 2 REC.POMO REF:45698 | SP.KNOB REF:45698 | |



| Part-list | ES | EN | Prod. |
|-----------|--|---------------------------------|-------|
| 7 | 45338 1 REC.PROTECTOR FRONTAL DISCO ND 200 | SP.FRONT BLADE PROTECTOR ND 200 | |
| 8 | 45899 1 REC.CHASIS ND BOELS | SP.CHASSIS ND BOELS | |
| 9 | 45370 1 REC.TAPA MOTOR ND 200 | SP.MOTOR GUARD ND 200 | |
| 10 | 20282 1 REC.ASA REF:20282 | SP.HANDLE SET REF:20282 | |
| 11 | 45892 1 REC.CUBETA ND 200 | SP.CUVETTE ND 200 | |



| Part-list | ES | EN | Prod. |
|-----------|--|--------------------------------|-------|
| 12 | 45893 1 REC.ARRANCADOR 230V 50HZ REF:45893 | SP.STARTER 230V 50HZ REF:45893 | |
| 13 | 57708 1 REC.CONDENSADOR 12MF 450V 50/60HZ | SP.CAPACITOR 12MF 450V 50/60HZ | |
| 14 | 45389 1 REC.PLATOS ND 200 | SP.FLANGES ND 200 | |
| 15 | 45459 1 REC.MOTOR ND 200 230V 50HZ | SP.MOTOR ND 200 320V 50HZ | |
| 16 | 45467 1 REC.CABLE ND 200 230V 50HZ | SP.CABLE ND 200 230V 50HZ | |