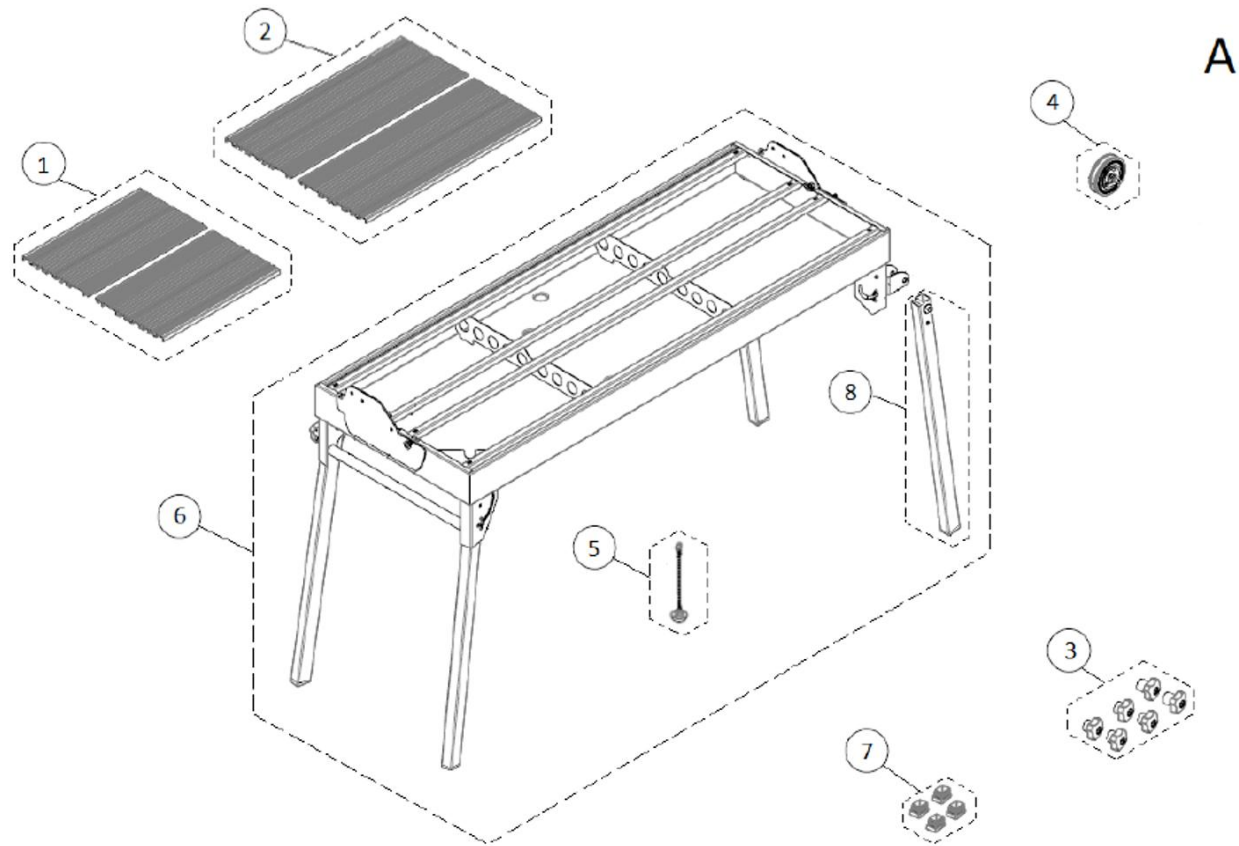
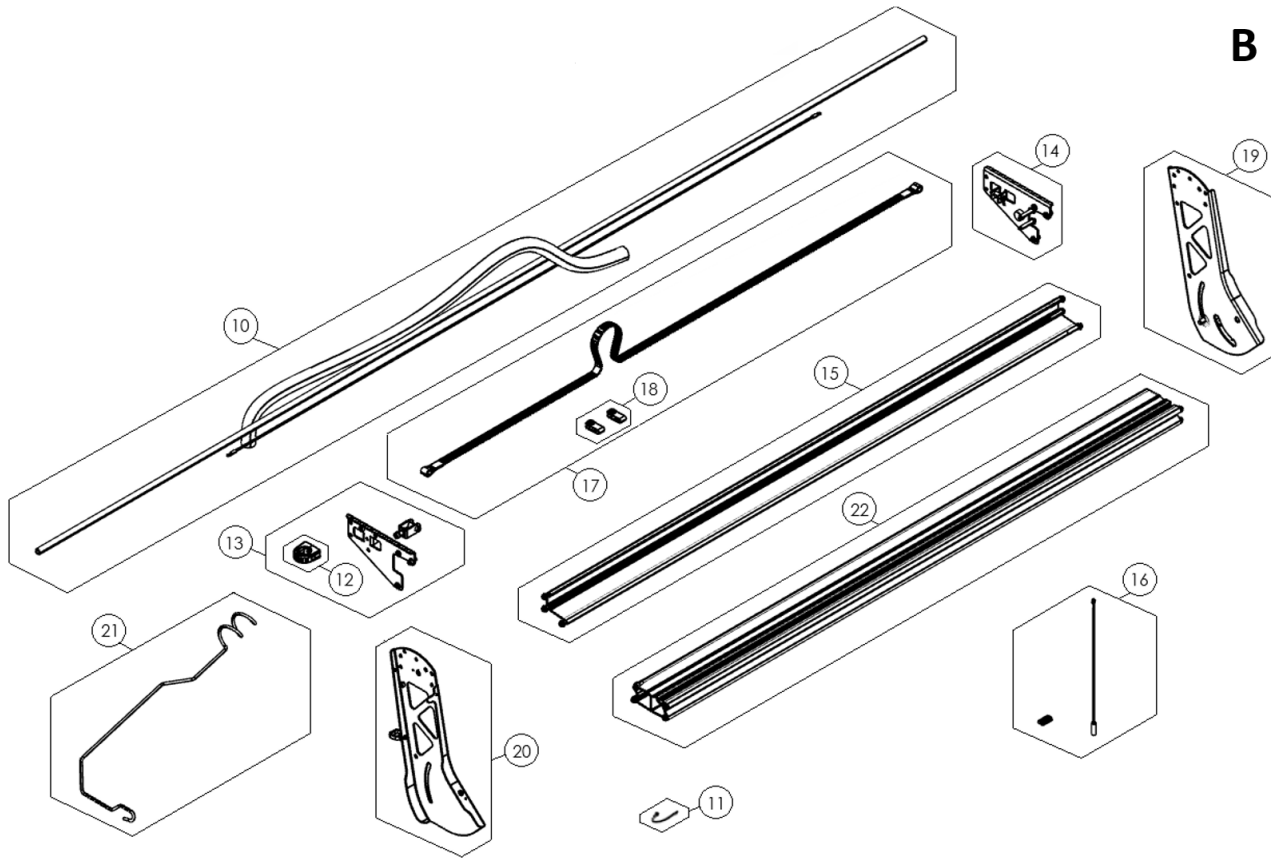


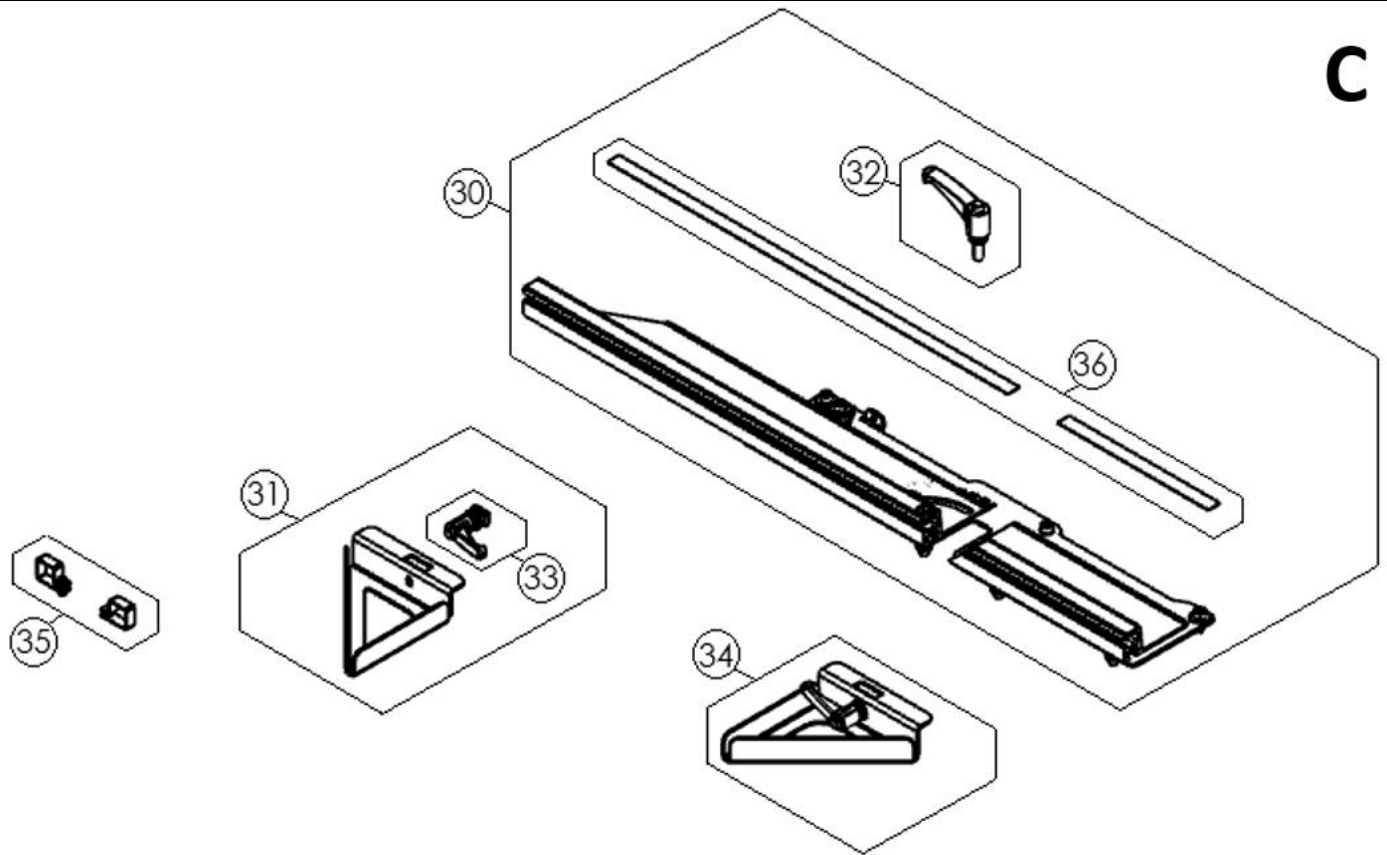
Part-list	ES	EN	Prod.
	GRUPO A	GROUP A	Pag. 2
888 88	GRUPO B	GROUP B	Pag. 3
	GRUPO C	GROUP C	Pag. 4
888 88	GRUPO D	GROUP D	Pag. 5
	GRUPO E	GROUP E	Pag. 6
Prod	ES	EN	From serial number
53913	DC-250 SMART 1200 230V 50HZ	DC-250 SMART 1200 230V 50HZ	689
53912	DC-250 SMART 1200 220V 60HZ	DC-250 SMART 1200 220V 60HZ	500
53911	DC-250 SMART 1200 120/60 INCH DISC,CABLE	DC-250 SMART 1200 120V 60HZ INCH DISC&C	697
53910	DC-250 SMART 1200 110V 50HZ	DC-250 SMART 1200 110V 50HZ	16698



Part-list	ES	EN	Prod.
1	57243 1 REC.JUEGO MESAS CORTAS	SP.SHORT TABLE SET	
2	57242 1 REC.JUEGO MESAS LARGAS	SP.LONG TABLE SET	
3	56860 1 REC.KIT POMOS DC PYTHON	SP.KNOB KIT DC PYTHON	
4	56855 2 REC.RUEDA REF:56855	SP.WHEEL REF:56855	
5	57260 1 REC.TAPON CON CADENA Ø 35	SP.PLUG WITH CHAIN Ø 35	
6	56663 1 REC.CJ.CHASIS DC 1200	SP.CHASIS DC 1200 SET	
7	56677 1 REC.CONTERAS REF:56677	SP.FERRULES REF:56677	
8	56679 4 REC.PATA REF:56679	SP.LEG REF:56679	

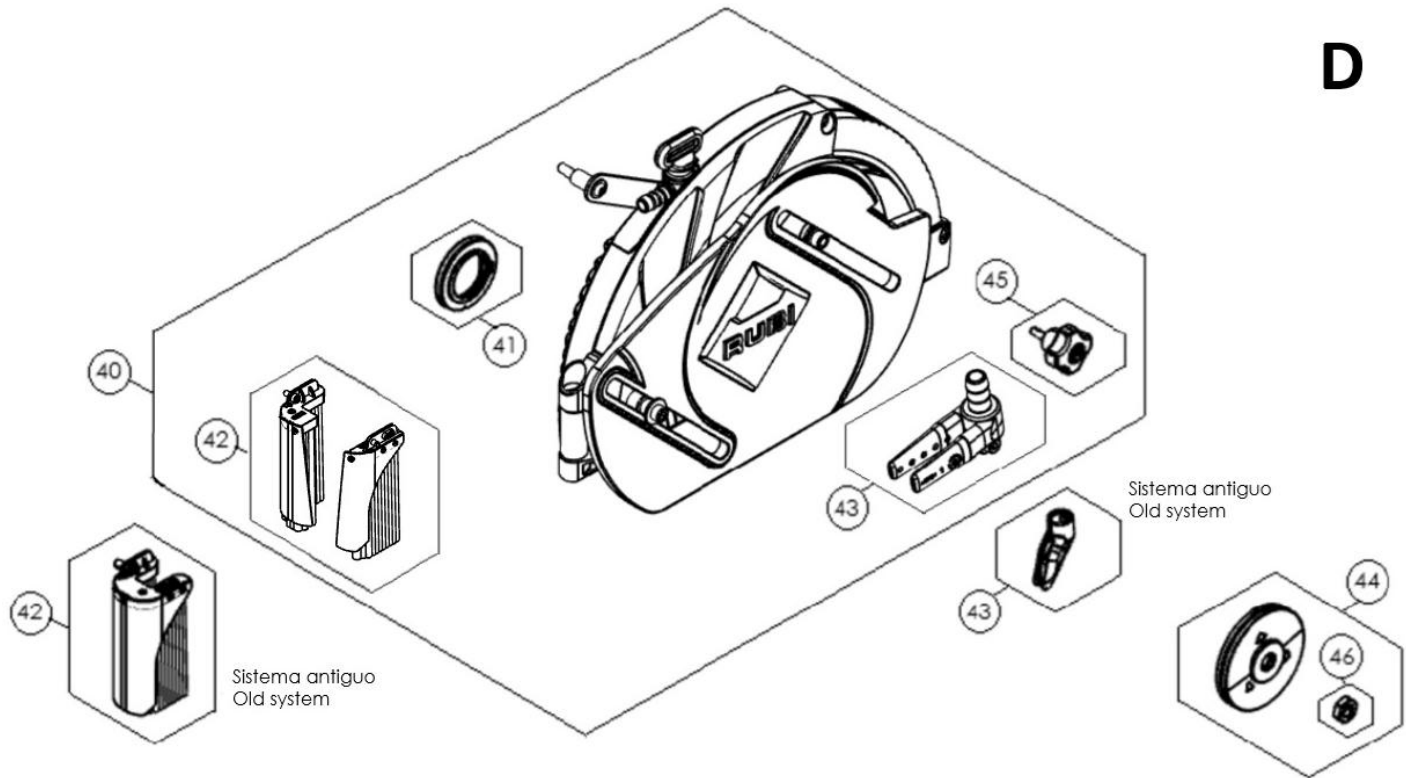


Part-list	ES	EN	Prod.
10	57254 1 REC.KIT TUBOS DC PYTHON 1200	SP.TUBE KIT DC PYTHON 1200	
11	56661 1 REC.CABLE TIERRA REF:56661	SP.GROUND WIRE REF:56661	
12	56875 1 REC.GRAPA TUBO COARRUGADO REF:56875	SP.CLAMP CORRUGATED PIPE REF:56875	
13	53827 1 REC.SOPORTE TRAS.CORREA DC SMART ADVANCE	SP.BELT REAR SUPPORT DC SMART ADVANCE	
14	53828 1 REC.SOPORTE FRON.CORREA DC SMART ADVANCE	SP.BELT FRONT SUPPORT DC SMART ADVANCE	
15	53829 1 REC.PROTECCION CORREA DC SMART ADVANCE	SP.BELT COVER DC SMART ADVANCE	
16	53830 1 REC.IMAN POSICIONADOR DC SMART ADVANCE	SP.MAGNET POSITIONER DC SMART ADVANCE	
17	53831 1 REC.CORREA DC SMART ADVANCE	SP.BELT SMART ADVANCE	
18	53832 1 REC.JUEGO CIERRES CORREA DC SMART ADVANC	SP.BELT FIXING KIT DC SMART ADVANCE	
19	53833 1 REC.BRAZO FRONT DC V2	SP.FRONT ARM DC V2	
20	53834 1 REC.BRAZO POSTERIOR DC V2	SP.REAR ARM DC V2	
21	53857 1 REC.ALZADOR DC SMART	SP.LIFTER DC SMART	
22	53856 1 REC.GUIA 1200 DC SMART	SP.GUIDE 1200 DC SMART	

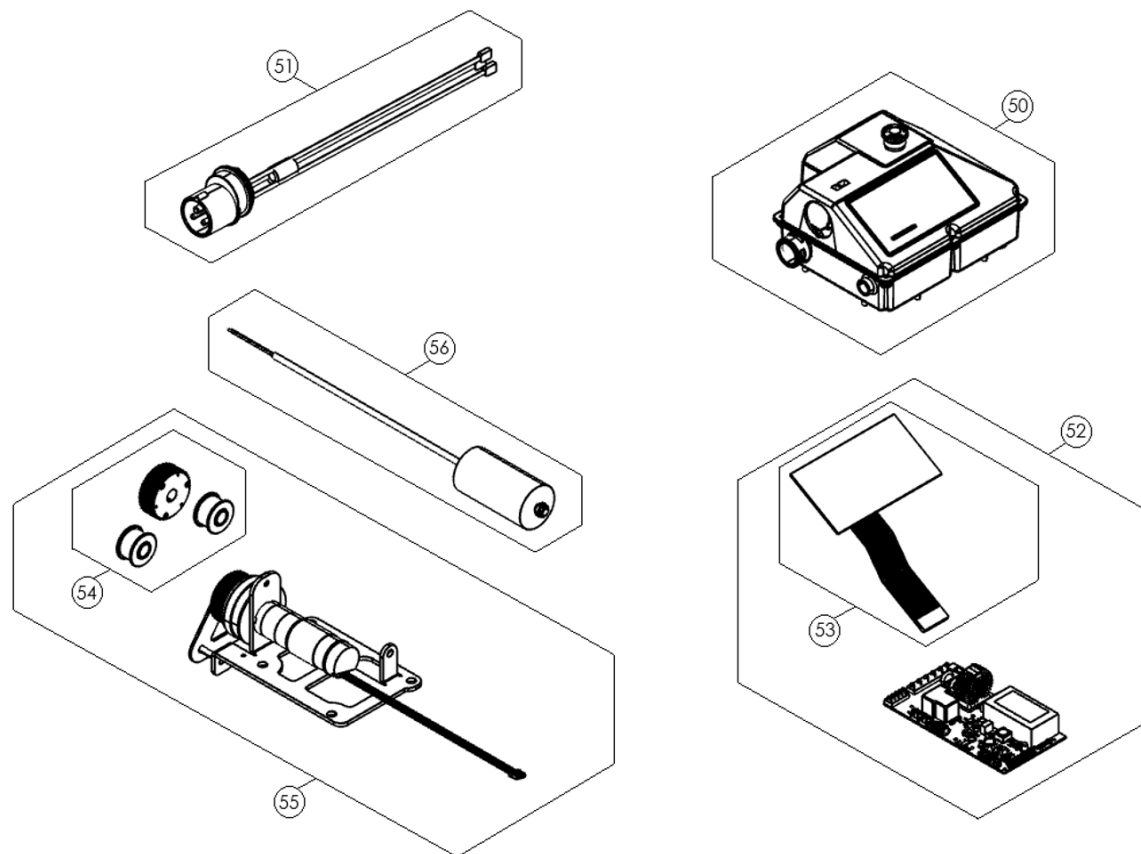


Part-list	ES	EN	Prod.
30	57236 1 REC.CJ.TOPE MESA DC PYTHON	SP.DC PYTHON TABLE TOP SET	
31	57252 1 REC.TOPE LATERAL DC	SP.LATERAL STOP DC	
32	56879 1 REC.MANETA TOPE MESA REF:56879	SP.HANDLE TABLE STOP REF:56879	
33	52823 2 REC.MANETA TOPE 45°	SP.HANDLE 45° STOP	
34	53853 1 REC.TOPE LATERAL REF:53853	SP.LATERAL STOP REF:53853	
35	53855 1 REC.BRIDA ELEVACION MESA	SP.TABLE LIFTING FLANGE	
36	27835 1 REC.CINTA METRICA INCH REF:27835	SP.TAPE MEASURE INCH REF:27835	53911
36	27834 1 REC.CINTA METRICA MM REF:27834	SP.TAPE MEASURE MM REF:27834	53910, 53912, 53913

D

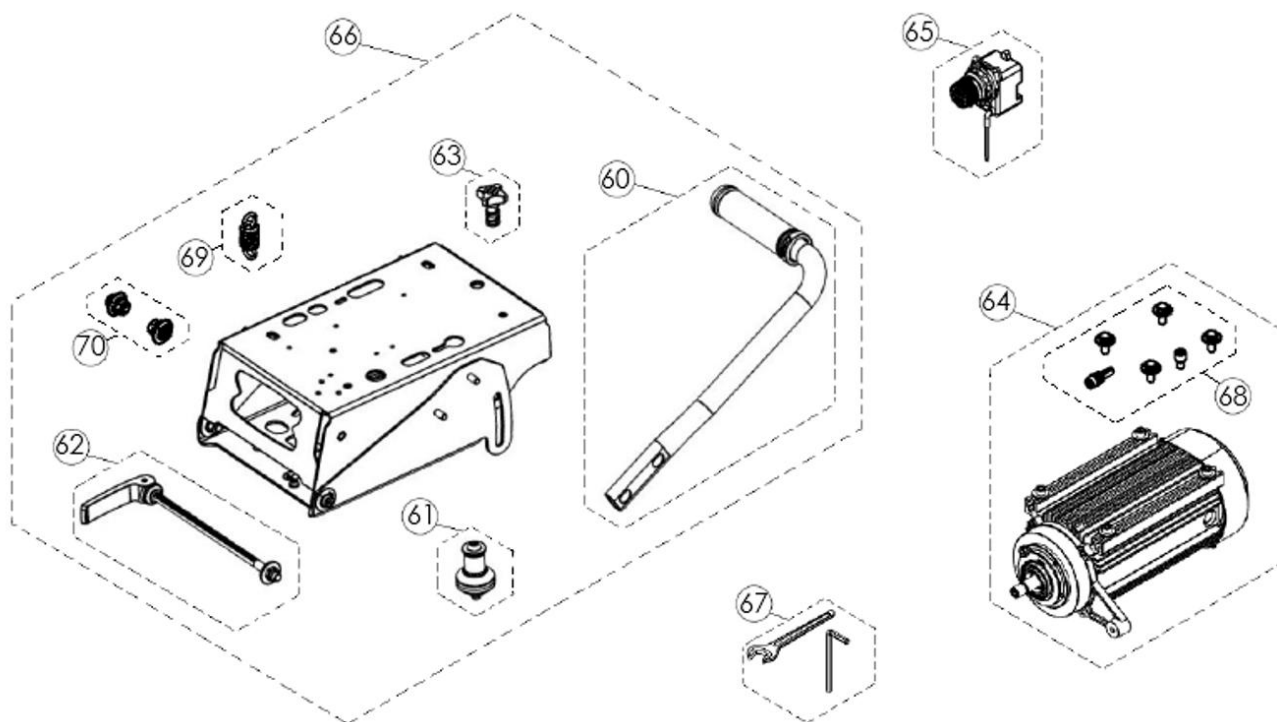


Part-list	ES	EN	Prod.
40	57857 1 REC.SISTEMA HIDRA	SP.HYDRA SYSTEM	
41	56658 1 REC.CJ.ARAND REF:56658	SP.WASHER SET REF:56658	
42	57859 1 REC.HYDRA ZERO DUST	SP.HYDRA ZERO DUST	
42	56654 1 REC.ZERO DUST REF:56654	SP.ZERO DUST REF:56654	
43	57858 1 REC.BOQUILLA HYDRA REF:57858	SP.HYDRA NOZZLE REF:57858	
43	56896 1 REC.CJ.BOQUILLA PYTHON	SP.PYTHON NOZZLE	
44	56657 1 REC.CJ.PLATOS USA REF:56657	SP.FLANGES SET USA REF:56657	53911
44	56656 1 REC.CJ.PLATOS REF:56656	SP.FLANGES SET REF:56656	53910, 53912, 53913
45	27384 1 REC.POMO TAPA DISCO REF:27384	SP.DISC COVER KNOB REF:27384	
46	53858 1 REC.TUERCA DISCO REF:53858	SP.BLADE NUT REF:53858	



Part-list	ES	EN	Prod.
50	53835 1 REC.CARCASA BOTONERA DC SMART ADVANCE	SP.BUTTON HOUSING DC SMART ADVANCE	
51	53837 1 REC.ADAPTADOR ENCHUFE DC SMART 120V 60HZ	SP.SOCKET DC SMART ADVANCE 120V 60HZ	53910, 53911
51	53836 1 REC.ADAPTADOR ENCHUFE DC SMART 230V 50HZ	SP.SOCKET DC SMART ADVANCE 230V 50HZ	53912, 53913
52	53838 1 REC.PLACA ELECT. C/BOTON DC SMART ADVAN.	SP.ELECT.CARD & BUTTON PANNEL DC SMART	
53	53854 1 REC.BOTONERA DC SMART	SP.BUTTON PANEL DC SMART	
54	53839 1 REC.ENGRANAJES DC SMART ADVANCE	SP.GEARS DC SMART ADVANCE	
55	53840 1 REC.MOTOR REDUCTOR DC SMART ADVANCE	SP.REDUCING MOTOR DC SMART ADVANCE	
56	53860 1 REC.CONDENSE.DC 25MF 450V 50HZ REF:53860	SP.CONDENSER DC 25MF 450V 50HZ REF:53860	53912, 53913
56	53859 1 REC.CONDENSE.DC 60MF 240V 50/60H R:53859	SP.CAPACITOR DC 60MF 240V 50/60H R:53859	53910, 53911

F



Part-list	ES	EN	Prod.
60	56674 1 REC.CJ.ASA DC	SP.HANDLE DC SET	
61	56673 4 REC.CJ.RUEDA CARRO REF:56673	SP.DC CARRIAGE WHEEL SET REF:56673	
62	56675 1 REC.FIJACION TRONZADORA REF:56675	SP.CUTTING MACHINE FIXATION REF:56675	
63	56680 1 REC.FRENO CARRO REF:56680	SP.KNOB CAR SET REF:56680	
64	57241 1 REC.CJ.MOTOR 120/60 1,1KW V2 DC PYTHON	SP.MOTOR 120/60 1,1KW V2 DC PYTHON SET	53911
64	57240 1 REC.CJ.MOTOR 110/50 1,1KW V2 DC PYTHON	SP.MOTOR 110/50 1,1KW V2 DC PYTHON SET	53910
64	57239 1 REC.CJ.MOTOR 220/60 1,1KW V2 DC PYTHON	SP.MOTOR 220/60 1,1KW V2 DC PYTHON SET	53912
64	57238 1 REC.CJ.MOTOR 230/50 1.1KW V2 DC PYTHON	SP.MOTOR 230/50 1.1KW V2 DC PYTHON SET	53913
65	56917 1 REC.BOMBA AGUA FA-180 230/60 60W 2,4M	SP.FA-180 WATER PUMP 230/60 60W 2,4M	53912
65	56916 1 REC.BOMBA AGUA FA-180 230/50 55W 2,4M	SP.FA-180 WATER PUMP 230/50 55W 2,4M	53913
65	56915 1 REC.BOMBA AGUA FA-180 115V 50/60 55W 2,4	SP.FA-180 WATER PUMP 115V 50/60 55W 2,4	53910, 53911
66	56668 1 REC.CJ.CARRO DC PYTHON	SP.CAR DC PYTHON SET	
67	56898 1 REC.KIT REEMPLAZO DISCO	SP.BLADE REPLACEMENT TOOLS SET	
68	56899 1 REC.KIT TORNILLERIA MOTOR DC PYTHON	SP.DC PYTHON MOTOR BOLT KIT	
69	57710 1 REC.MUELLE CARRO DC PYTHON	SP.SPRING TROLLEY DC PYTHON	
70	57711 1 REC.JUEGO EJES REF:57711	SP.AXES SET REF:57711	